

OPTIONAL / ADDITIONAL EQUIPMENT

BRASS READING LAMP / #BRL

Attach an elegant brushed brass reading lamp to the reading table of your new Speaker Stand. Not only will you shed light on the subject, but you will add pizzazz to your new stand.



RECHARGEABLE BATTERY / #PS12V

Connect this 12V 5 amp rechargeable battery pack with included cable to any of our lecterns for battery power. 20 hour life. Lecterns recharge battery overnight.

ARISTOCRAT CONTOUR FLOOR LECTERN / #600

The perfect lectern for the most demanding, upscale look in your conference, training and formal meeting rooms. Contoured style with radius curves. Available in three woodgrain thermofused melamine laminate on MDF. Two built in shelves and our side mounted slide-out shelf for A/V presentation equipment. Accented by attractive T-mold edging. Moves effortlessly on four easy roll castors, two locking. Ready to assemble.

Dimensions: 23" W x 46 1/2" H x 16" D
Med. Oak, Mahogany, Cherry



HAND-HELD WIRELESS MIC. / LWM-5

This wireless hand-held Mic. Uses a 9-volt battery. Select channel A or B to eliminate outside frequency interruption. Move freely up to 200 ft. away!



TIE-CLIP LAVELIER WIRELESS MIC. / LWM-6

Includes pocket-size transmitter with a clip-on mic. Uses a 9-volt battery. Select channel A or B to eliminate outside frequency interruption. Move freely up to 200 ft. away!



HEADSET WIRELESS MIC. / LWM-7

Includes pocket-size transmitter with a headset mic. Uses a 9 volt battery. Select channel A or B to eliminate outside frequency interruption. Move freely up to 200 ft. away!



**Aristocrat
Sound Floor Lectern**

ASSEMBLY MANUAL



OKLAHOMA SOUND

149 Entin Road, Clifton, NJ 07014

Tel 973-594-9000 • Fax 973-594-9339

www.oklahomasound.com • email: info@oklahomasound.com

MODEL #6010

4) Now apply Panel C to the semi assembled unit. Be sure to align the cam bolts to the holes on both Panel B and Panel E. Be sure that Panel F is securely in groove. Tighten cams. (Diagram C)

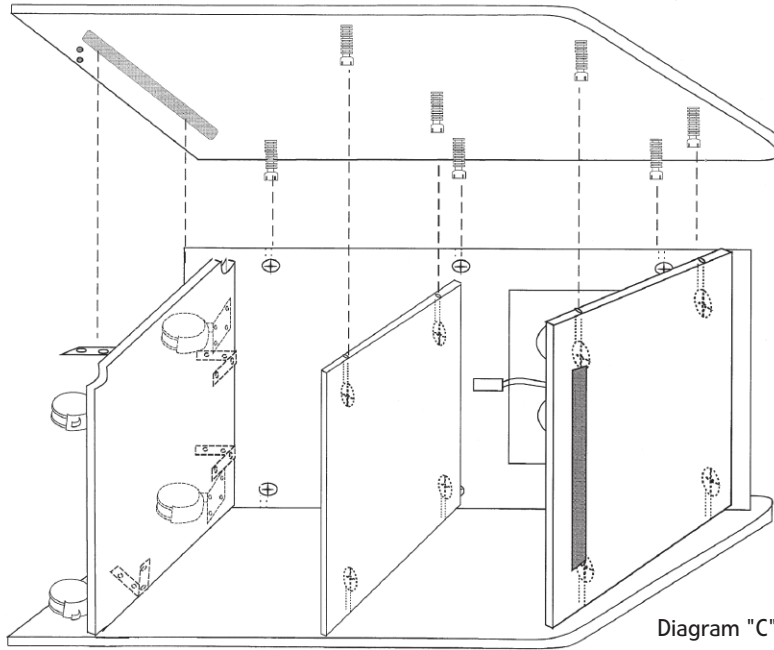


Diagram "C"

- 5) Screw the corner braces on the bottom Panel F into Panels A, B and C.
- 6) Connect the plug coming out of the speakers on Panel B to the plug coming out of the back of the amp. Fit the amp between the two sides and bring the amp up until it reaches the cleats (wood stub) then from the bottom of the amp screw in four screws. (Diagram D)
- 7) Once again go over all the cams and check to make sure the lectern is sturdy.
- 8) Screw on gooseneck mic holder and install microphone for sound use.

Congratulations! You have successfully assembled your lectern, which if cared for correctly should give you long and satisfactory usage.

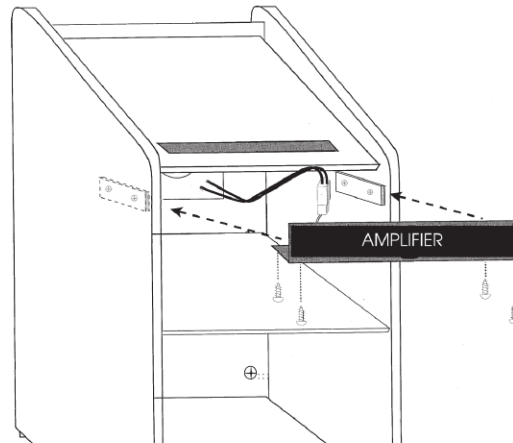
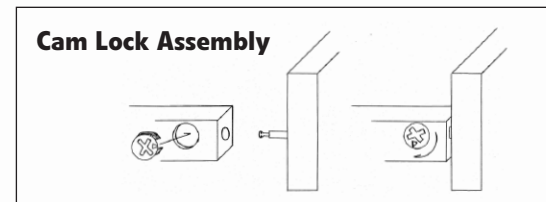
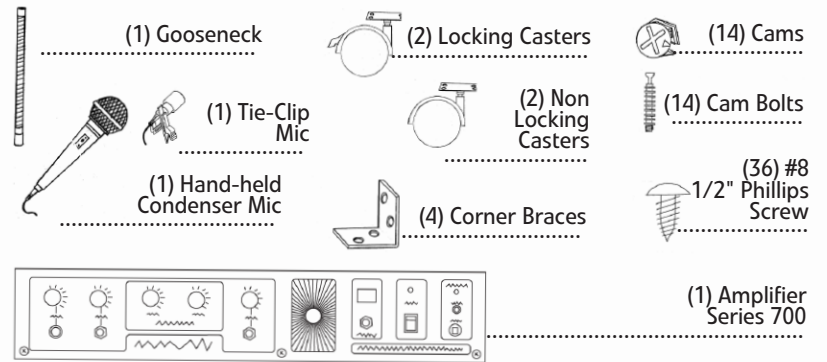
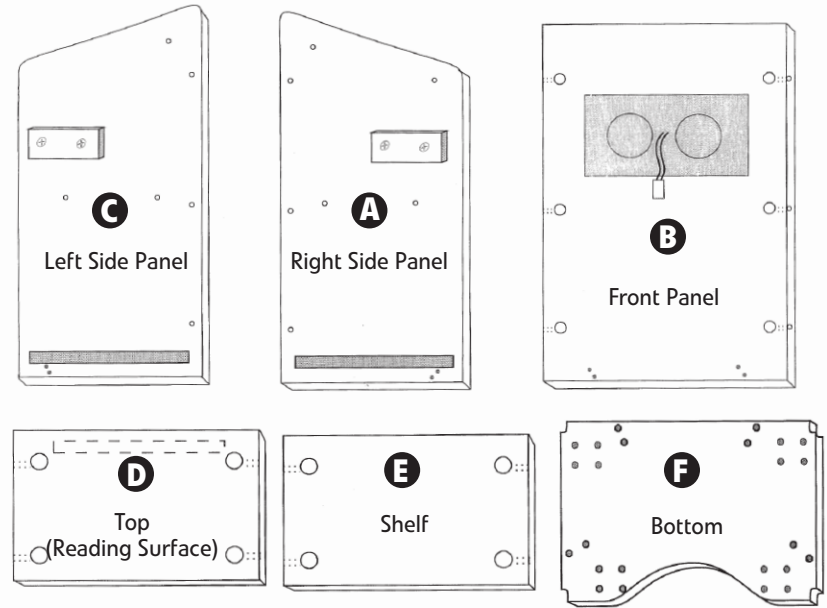


Diagram "D"

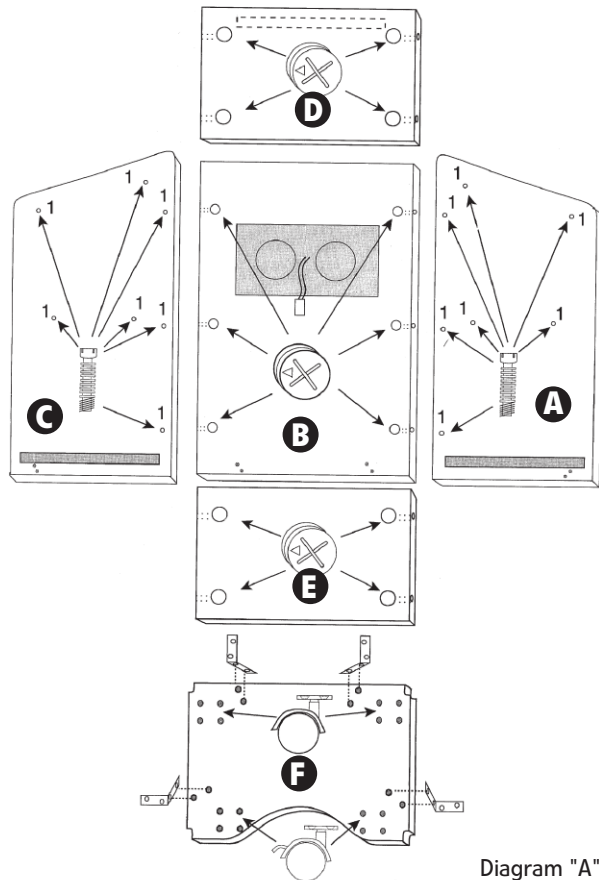
ASSEMBLY PARTS



Tools Required
 #2 Phillips Head Screwdriver
 Hammer

INSTALLATION OF HARDWARE

- 1) Lay out the wood panels as shown in Diagram A (make sure the factory drilled holes are facing upwards). You can determine the top of the front panel by identifying the T-molding.
- 2) Identify the holes numbered "1" in Diagram A. Screw the bolts into the pre-drilled holes with a #2 Phillips-head screwdriver. Be sure to tighten the screws all the way. Note: Be careful not to over-tighten the bolts as this will strip the wood!
- 3) Insert the cams in the larger holes as shown on diagram. **MAKE SURE THE ARROW ON THE CAM IS POINTING TO CLOSEST EDGE AND ALIGNED WITH THE HOLE ON THE EDGE.**
- 5) On Panel F, screw in the four casters. The locking casters should be screwed into the bottom closest to the T-molded contoured edge. The second pair of non-locking casters should be screwed in closest to the unfinished edge.



ASSEMBLY OF LECTERN

It is important that the instructions on the assembly are followed carefully

- 1) The first step of assembly will be to align the holes on Panel B edges with the three cam bolts on Panel A, tighten cams by turning clockwise until locked.
- 2) Next will be Panel D and Panel E. Make sure the cams on Panel D and Panel E face the bottom of the lectern. The two highest bolts align with the two holes on the edge of Panel D (these holes reach until the cams). The two bolts in the center of Panel A will align with the two holes on the edge of the shelf. Gently push the shelves down on to the cam bolts until the shelf is completely on the right side panel. Tighten.
- 3) Take Panel F, with the casters facing the bottom of the unit insert panel into the groove, make sure that the panel is all the way in the groove. (Diagram B)

